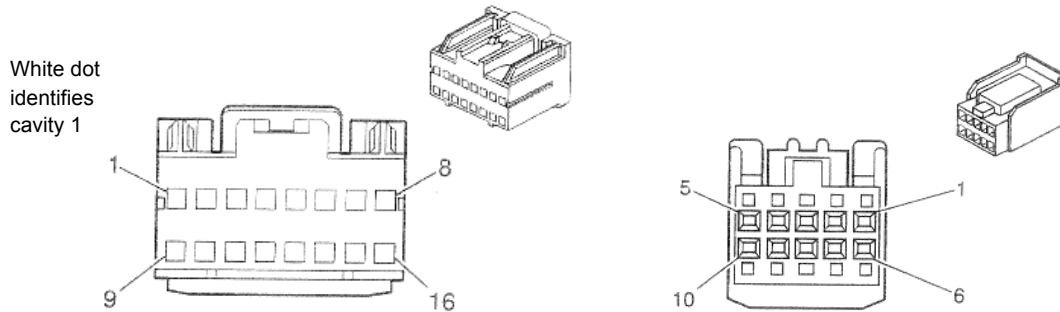


9002-6006A – 10 to 16 pin Mirror Adapter Harness Instructions

The jumper harness allows for installation of 9002-9510, 9002-9511, 9002-9515, 9002-9516 or 9002-9603 mirrors into GM vehicles equipped with a 10 pin inline mirror connector. Download the latest application guide at www.brandmotion.com/docs2/rvsappguide.pdf for current list of GM vehicles with a 10 pin connector.

1. Remove existing mirror along with the mirror harness cover, if equipped, and expose the 10 pin connector.
2. Connect the vehicle's 10 pin connector to the 10 pin female connector of 9002-6006A.
3. Follow 9002-9510, 9002-9511, 9002-9515, 9002-9516 or 9002-9603 mirror instructions to ensure the red and black video leads, from the harness provided in the mirror kits, are inserted into the correct cavities of the 16 pin male connector.
4. Ensure that pins (8 ground, 9 reverse + and 13 ignition+) are active.
5. Connect the 16 pin from 9002-6006A to the mirror.



<u>16 pin</u>	<u>Description</u>	<u>Wire Color</u>	<u>10 pin</u>	<u>Remarks</u>
1	Not used			See step 3
2	Not used			See step 3
3	Not used			
4	Not used			
5	Auto Dimming +	Gray	9	
6	Camera Video Signal +			See step 3
7	Camera Video Signal -			See step 3
8	Ground	Black	5	
9	Backup Lamp Relay Control (Reverse)	Green	1	
10	Not used			
11	Onstar Keypad Signal	White	3	
12	Onstar Keypad Supply Voltage	Light Green	4	
13	Ignition 1 Voltage	Pink	2	
14	Onstar Keypad Green LED Signal	Yellow	6	
15	Onstar Keypad Red LED Signal	Brown	7	
16	Auto Dimming -	Red	8	
	Not used		10	

Note 1: After installation, if the reverse lamps stay on when the ignition is turned off follow the instructions listed on page two.

Note 2: We strive to provide accurate and up-to-date installation instructions. For the latest Instructions please visit www.brandmotion.com.

9002-6006A – 10 to 16 pin Mirror Adapter Harness Instructions

Symptom:

With mirror installed and connected the reverse lamps stay ON when the key is turned OFF and will stay ON.

How to confirm:

Disconnect mirror and reverse lamps turn OFF and function normal.

Vehicles affected:

2010 and up Chevrolet Malibu and possibly others

Parts needed:

- 1) Bosch single pull dual throw or equivalent relay
- 4) Male fully insulated speaker spades to connect to relay
- 4) Different color 20-18g wires 6' in length

Corrective action:

Add relay to interrupt and isolate reverse signal

Installation:

Installer must splice a lead to pin 13 (ignition +), pin 8 (ground) and cut in half lead going into pin 9 (reverse +). Spliced and cut leads should be extended 6' and dropped down into driver knee bolster area where they will be connected to relay.

Connect the relay to leads as follows,

Relay Pin	Connect to
30	pin 9 going into mirror 16 pin connector (reverse output)
85	pin 8 of 16 pin mirror harness (ground)
86	wire cut from pin location 9 (reverse input)
87	pin 13 of 16 pin mirror harness (ignition +)
87a	not used